

Series LFAFBV-FP

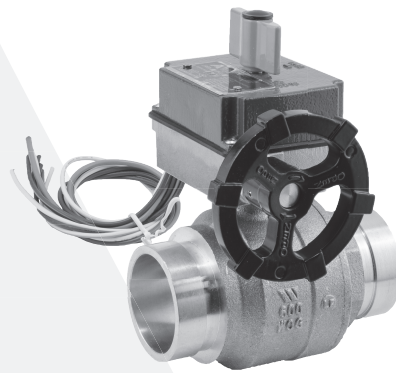
Slow Close Ball Valve

Sizes: 1" – 2" (25 – 50mm)

WARNING



Read this Manual **BEFORE** using this equipment. Failure to read and follow all safety and use information can result in death, serious personal injury, property damage, or damage to the equipment. Keep this Manual for future reference.



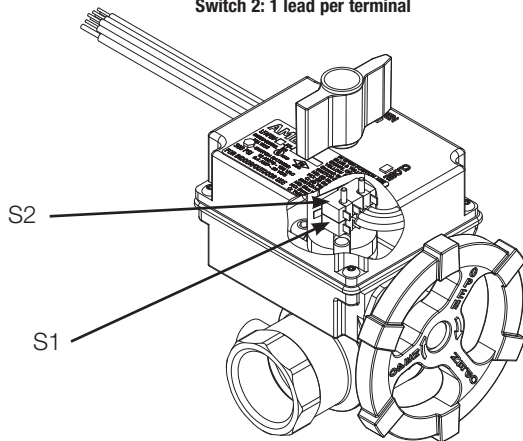
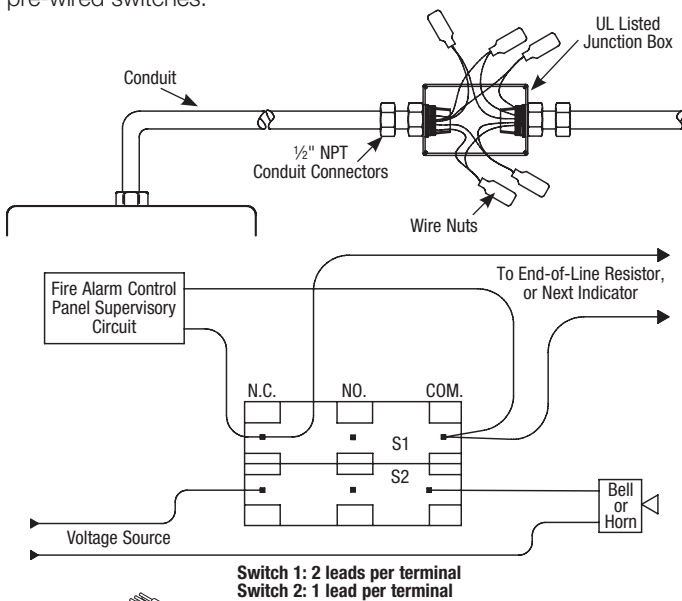
Installation Instructions

Series LFAFBV-FP are full-port bronze body ball valves UL/FM rated for 400psi (27.6 bar) service in fire protection systems. Available in threaded ends (NPT) or grooved ends with chrome-plated brass ball, brass stem and PTFE seats for low torque and positive shut off. Valve is designed for use with Schedule 40 pipe and is approved for indoor and outdoor use.

Switch and Wiring

Supervisory Switch

The supervisory switch contains two, single pole, double throw, pre-wired switches.



Supervisory Switch Wiring

- (1) Switches supervise valve in "open" position
- (2) Switch 1 is intended for connection to the supervisory circuit of a fire alarm control panel and has two 18 gauge wires per terminal. Switch 2 is intended for auxiliary service and has one 18 gauge wire per terminal and may be connected to a remote device such as a remote indicating light or audible bell.

Switch #1

Normally Closed (NC):
Common (C):

S1

(2) Blue
(2) Yellow

Switch #2

Normally Closed (NC):
Normally Open (NO):
Common (C):
Ground (G):

S2

Blue with Orange Stripe
Brown with Orange Stripe
Yellow with Orange Stripe
Green

The diagram shows a connection between the common terminal (yellow-S1) and the normally closed terminal (blue-S1).

A similar connection is made between yellow-with-orange stripe-S2 and blue-with-orange stripe-S2. With this configuration, an indicator light or alarm would stay on until the valve is fully open. When the valve is fully open, the indicator light goes out and alarm will go off. Any unused wires should be capped off.

Connection of the valves internal supervisory switches are to be made by qualified personnel in accordance with NFPA 72, National Fire Alarm Code and NFPA 70, National Electrical Code.

Switches are rated

	RESISTIVE	LAMP
125 VAC	10.1A	1.5A
250 VAC	10.1A	1A
30 VDC	.4A	2A
250 VDC	0.2A	0.03A

⚠ WARNING

Local building or plumbing codes may require modifications to the information provided. You are required to consult the local building and plumbing codes prior to installation. If the information provided here is not consistent with local building or plumbing codes, the local codes should be followed. This product must be installed by a licensed contractor in accordance with local codes and ordinances.

⚠ WARNING

Need for Periodic Inspection/Maintenance: This product must be tested periodically in compliance with local codes, but at least once per year or more as service conditions warrant. If installed on a fire suppression system, all mechanical checks, such as alarms and backflow preventers, should be flow tested and inspected in accordance with NFPA 13 and/or NFPA 25. All products must be retested once maintenance has been performed. Corrosive water conditions and/or unauthorized adjustments or repair could render the product ineffective for the service intended. Regular checking and cleaning of the product's internal components helps assure maximum life and proper product function.

WARNING: This product contains chemicals known to the State of California to cause cancer and birth defects or other reproductive harm.
For more information: Watts.com/prop65

Limited Warranty: Ames Fire & Waterworks (the "Company") warrants each product to be free from defects in material and workmanship under normal usage for a period of one year from the date of original shipment. In the event of such defects within the warranty period, the Company will, at its option, replace or recondition the product without charge.

THE WARRANTY SET FORTH HEREIN IS GIVEN EXPRESSLY AND IS THE ONLY WARRANTY GIVEN BY THE COMPANY WITH RESPECT TO THE PRODUCT. THE COMPANY MAKES NO OTHER WARRANTIES, EXPRESS OR IMPLIED. THE COMPANY HEREBY SPECIFICALLY DISCLAIMS ALL OTHER WARRANTIES, EXPRESS OR IMPLIED, INCLUDING BUT NOT LIMITED TO THE IMPLIED WARRANTIES OF MERCHANTABILITY AND FITNESS FOR A PARTICULAR PURPOSE.

The remedy described in the first paragraph of this warranty shall constitute the sole and exclusive remedy for breach of warranty, and the Company shall not be responsible for any incidental, special or consequential damages, including without limitation, lost profits or the cost of repairing or replacing other property which is damaged if this product does not work properly, other costs resulting from labor charges, delays, vandalism, negligence, fouling caused by foreign material, damage from adverse water conditions, chemical, or any other circumstances over which the Company has no control. This warranty shall be invalidated by any abuse, misuse, misapplication, improper installation or improper maintenance or alteration of the product.

Some States do not allow limitations on how long an implied warranty lasts, and some States do not allow the exclusion or limitation of incidental or consequential damages. Therefore the above limitations may not apply to you. This Limited Warranty gives you specific legal rights, and you may have other rights that vary from State to State. You should consult applicable state laws to determine your rights. **SO FAR AS IS CONSISTENT WITH APPLICABLE STATE LAW, ANY IMPLIED WARRANTIES THAT MAY NOT BE DISCLAIMED, INCLUDING THE IMPLIED WARRANTIES OF MERCHANTABILITY AND FITNESS FOR A PARTICULAR PURPOSE, ARE LIMITED IN DURATION TO ONE YEAR FROM THE DATE OF ORIGINAL SHIPMENT.**



A Watts Water Technologies Company

USA: Backflow Tel: (978) 689-6066 • Fax: (978) 975-8350 • AmesFireWater.com
USA: Control Valves Tel: (713) 943-0688 • Fax: (713) 944-9445 • AmesFireWater.com
Canada: Tel: (905) 332-4090 • Fax: (905) 332-7068 • AmesFireWater.ca
Latin America: Tel: (52) 81-1001-8600 • Fax: (52) 81-8000-7091 • AmesFireWater.com