

QUANT À LEUR DURÉE À UN AN À COMPTER DE LA DATE D'EXPÉDITION D'ORIGINE. TOUTES LES GARANTIES TACTES NE POUVANT PAS ÊTRE REJETÉES, Y COMPRIS LES GARANTIES D'ADAPTATION À UN BUT PARTICULIER, SONT LIMITÉES À LEUR DURÉE À UN AN À COMPTER DE LA DATE D'EXPÉDITION D'ORIGINE.

Le recours décrit dans le premier paragraphe de cette garantie constitue le seul recours à toute violation d'ADAPTATION À UN BUT PARTICULIER. L'EXPRESSE OU TACITE, NOTAMMENT TOUTE GARANTIE TACITE DE QUALITÉ MARCHANDE OU TACITE, PAR LA PRÉSENTE, LA SOCIÉTÉ REJETTE SPÉCIFIQUEMENT TOUTE AUTRE GARANTIE, LA SOCIÉTÉ POUR CE PRODUIT. LA SOCIÉTÉ N'OFFRE AUCUNE AUTRE GARANTIE, EXPRESSE OU TACITE, POUR CE PRODUIT. LA SOCIÉTÉ EST REPRÉSENTÉE LA SEULE GARANTIE OFFERTE PAR LA SOCIÉTÉ, À SA DISCRETION, REMPLACERA OU RECONDITIONNERA le produit sans frais.

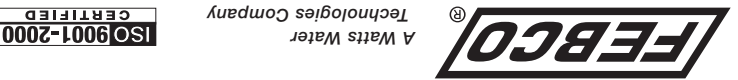
de garantie, la Société, à sa discrétion, remplacera ou reconditionnera le produit sans frais. Dans l'événement où de tels vices se manifesteraient pendant la période de fabrication dans des conditions normales d'utilisation pour une période d'un an à compter de la date d'expédition d'origine. Dans l'événement où de tels vices se manifesteraient pendant la période de garantie, la Société, à sa discrétion, remplacera ou reconditionnera le produit sans frais.

matériau et de fabrication dans des conditions normales d'utilisation pour une période d'un an à compter de la date d'expédition d'origine. Dans l'événement où de tels vices se manifesteraient pendant la période de garantie, la Société, à sa discrétion, remplacera ou reconditionnera le produit sans frais.

Garantie limitée : FEBCO (la « Société ») garantit que chacun de ses produits est exempt de vice de matériau et de fabrication dans des conditions normales d'utilisation pour une période d'un an à compter de la date d'expédition d'origine.

AVERTISSEMENT: Ce produit contient des produits chimiques reconnus par l'État de Californie comme étant cancérogènes et pouvant provoquer des anomalies congénitales ou affecter la capacité de reproduction.

Pour plus d'informations: www.watts.com/props



SU DURACION A UN AÑO A PARTIR DE LA FECHA DEL EMBARQUE ORIGINAL. TANTO PARA LA COMERCIALIZACIÓN E IDONEIDAD PARA UN PROPÓSITO EN PARTICULAR, SE LIMITA EN CUANTO A LA GARANTÍA IMPLÍCITA QUE NO SEA RECHAZADA, INCLUYENDO LAS GARANTÍAS IMPLÍCITAS DE MANTENIMIENTO ADECUADO O ADECUADO DE PRODUCTO.

Algunos Estados no permiten limitaciones en la duración de una garantía implícita que no permita que el producto sea considerado o alterado de producto. Algunos Estados no permiten limitaciones en la duración de una garantía implícita que no permita que el producto sea considerado o alterado de producto.

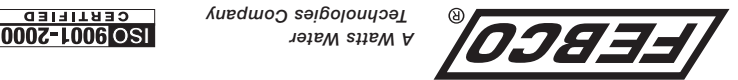
La solución descrita en el primer párrafo de esta garantía constituirá la única y exclusiva solución por incumplimiento de garantía, y la Compañía no se hará responsable por daños accidentales, especiales o indirectos, incluyendo el costo de reparación o reemplazo de otra propiedad que resulte dañada por el mal funcionamiento de este producto, otros costos resultantes por mano de obra, retardos, vandalismo, negligencia, obstrucciones ocasionadas por materiales extraños, daños debidos a condiciones adversas del agua, químicos o cualquier otra circunstancia sobre la cual la Compañía no tenga control. Esta garantía no tendrá validez en cualquier caso de abuso, uso indebido, aplicación incorrecta, instalación inadecuada o mantenimiento inadecuado o alteración de producto.

de embarque original, que sus productos estén libres de defectos en materiales y mano de obra bajo condiciones de uso normal. En caso de que se encuentren tales defectos dentro del período de garantía, la Compañía reemplazará o recondicionará, a su elección, el producto sin costo alguno.

Garantía limitada: FEBCO (en adelante, "la Compañía") garantiza, por un período de un año a partir de la fecha de embarque original, que sus productos están libres de defectos en materiales y mano de obra bajo condiciones de uso normal.

ADVERTENCIA: Este producto contiene sustancias químicas que en el Estado de California se conocen como causantes de cáncer y malformaciones u otros daños reproductivos.

Para más información: www.watts.com/props



Some States do not allow limitations on how long an implied warranty lasts, and some States do not allow limitations on the duration of an implied warranty that may not be disclaimed, including the implied warranties of merchantability and fitness for a particular purpose, are limited in duration to one year from the date of original shipment.

The remedy described in the first paragraph of this warranty shall constitute the sole and exclusive remedy for breach of warranty, and the Company shall not be responsible for any incidental, special or consequential damages, including without limitation, lost profits or the cost of repairing or replacing other property which is damaged if this product does not work properly, other costs resulting from labor charges, delays, vandalism, negligence, fouling caused by foreign material, damage from adverse water conditions, chemical, or any other circumstances over which the Company has no control. This warranty shall be invalidated by any abuse, misuse, misapplication, improper installation or improper maintenance or alteration of the product.

La solución descrita en el primer párrafo de esta garantía constituirá la única y exclusiva solución por incumplimiento de garantía, y la Compañía no se hará responsable por daños accidentales, especiales o indirectos, incluyendo el costo de reparación o reemplazo de otra propiedad que resulte dañada por el mal funcionamiento de este producto, otros costos resultantes por mano de obra, retardos, vandalismo, negligencia, obstrucciones ocasionadas por materiales extraños, daños debidos a condiciones adversas del agua, químicos o cualquier otra circunstancia sobre la cual la Compañía no tenga control. Esta garantía no tendrá validez en cualquier caso de abuso, uso indebido, aplicación incorrecta, instalación inadecuada o alteración de producto.

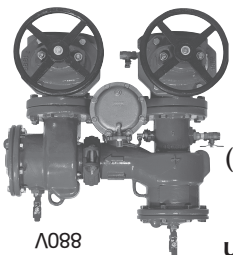
Algunos Estados no permiten limitaciones en la duración de una garantía implícita que no permita que el producto sea considerado o alterado de producto.

Limited Warranty: FEBCO (the "Company") warrants each product to be free from defects in material and workmanship under normal usage for a period of one year from the date of original shipment. In the event of such defects within the warranty period, the Company will, at its option, replace or recondition the product without charge.

WARNING: This product contains chemicals known to the State of California to cause cancer and birth defects or other reproductive harm.

For more information: www.watts.com/props

Dimensions : 65 mm à 250 mm
(2,5 po à 10 po)



880V

Détecteur de réduction de pression

Dispositifs pour zone de pression réduite

Montajes de detección de presión reducida

Montajes de zona de presión reducida

Reduced Pressure Detector Assemblies

Series

880V/LF880V/LF886V

Installation Instructions • Instrucciones de instalación • Instrucciones d'installation

IS-F-880V-RP/RPDA

ENGLISH INSTRUCTIONS

WARNING



Read this Manual BEFORE using this equipment. Failure to read and follow all safety and use information can result in death, serious personal injury, property damage, or damage to the equipment. Keep this Manual for future reference.

WARNING

Need for Periodic Inspection/Maintenance: This product must be tested periodically in compliance with local codes, but at least once per year or more as service conditions warrant. All products must be retested once maintenance has been performed. Corrosive water conditions and/or unauthorized adjustments or repair could render the product ineffective for the service intended. Regular checking and cleaning of the product's internal components helps assure maximum life and proper product function.

WARNING

Local building or plumbing codes may require modifications to the information provided. You are required to consult the local building and plumbing codes prior to installation. If the information provided here is not consistent with local building or plumbing codes, the local codes should be followed. This product must be installed by a licensed contractor in accordance with local codes and ordinances.

NOTICE

The flange gasket bolts for the gate valves should be retightened during installation as the bolts may have loosened due to storage and shipping.

Installation Instructions

- It is recommended that system supply pressure be at least 20psi (138 kPa).
- These instructions apply to Series 880V/LF880V/LF886V sizes 2½" to 10" (65-250mm) only. The valve may be installed only in the orientation/flow direction as shown. The gate valves may be rotated as permitted by the flange bolt pattern.

NOTICE

Normal discharge and nuisance spitting are accommodated by use of a FEBCO air gap fitting and a fabricated indirect waste line. The gap drain is not designed to catch the maximum discharge possible from the relief valve. The installation of FEBCO air gap with the drain line terminating above a floor drain will handle any normal discharge or nuisance spitting through the relief valve. However, floor drain size may need to be designed to prevent water damage caused by a catastrophic failure condition. Do not reduce the size of the drain line from the air gap fitting.

- The valve assembly must be installed where it is accessible for periodic testing and

maintenance. Clearances shown in the installation views apply to exterior, interior and pit/vault installations and are only recommendations. These minimums do not apply to removable protective enclosures. Refer to local codes for actual requirements in your area.

NOTICE

- PRIOR TO INSTALLING THE VALVE INTO THE LINE, FLUSH THE SUPPLY LINE OF ALL FOREIGN MATERIAL. Failure to flush the supply line may cause the check valves to become fouled and require disassembly and cleaning.
- Lift the assembly by connecting lift hooks to the lift rings cast into the valve body. DO NOT LIFT THE ASSEMBLY BY CONNECTING TO THE GATE VALVE HANDWHEELS OR STEMS. The use of the optional valve setters (horizontal units only) provides for a rigid connection to the supply line (with the correct centerline) without the need for concrete thrust blocks.
- For vertical installation, loosen bolts on the groove coupling just enough to allow rotation of the outlet check. Rotate the outlet check 180°. Install pipe support (pipe support to be furnished by customer and shall fit same size pipe as the valve being installed, except 2½" (65mm) valves will use a 3" pipe support).

NOTICE

THE VALVE BODY AND PIPE SUPPORT ARE INTENDED TO SUPPORT THE WEIGHT OF THE SECOND CHECK VALVE AND OUTLET GATE VALVE ONLY. THE PIPING ABOVE THE OUTLET GATE VALVE MUST BE SUPPORTED INDEPENDENTLY. Retighten bolts of groove coupling. Rotate outlet gate valve as desired – required.

- For vertical installation of the RPDA: First remove formed tube from bypass piping, and then follow instructions outlined in No. 6 above. When this has been completed, rotate the compression fitting elbow 180° and reinstall the tube, rotating the pipe tee now at the bottom of the outlet check to align with tube.

NOTICE

- After installation SLOWLY fill the assembly with water and bleed air from the body using the # 3 and # 4 test cocks. Test the valve assembly to ensure correct operation.

NOTICE

All assemblies are tested at the factory for proper operation and leakage. If the valve does not pass the field test, it is most likely due to a fouled check valve. This is not covered by the factory warranty. The valve cover(s) must be removed and the check seats inspected and cleaned. Any damage or improper operation caused by pipeline debris or improper installation/start-up is not included in the factory warranty.

In case of a possible warranty claim, contact your local supplier or FEBCO Representative. DO NOT REMOVE THE VALVE ASSEMBLY FROM THE PIPELINE.

NOTICE

- The assembly must be protected from freezing and excessive pressure increases. Pressure increases can be caused by thermal expansion or water hammer. These excessive pressure situations must be eliminated to protect the valve and system from possible damage.

Typical Installation

Figure 1

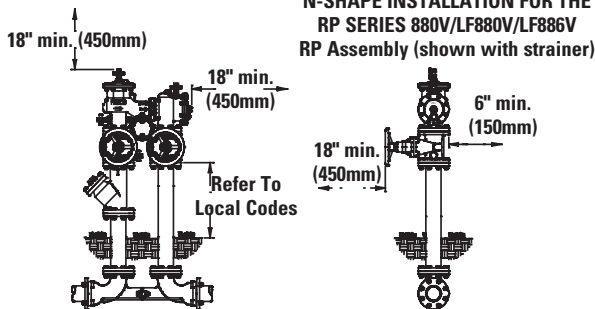
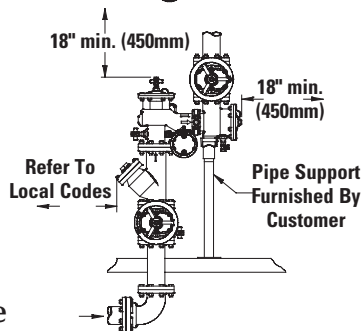


Figure 2

VERTICAL INSTALLATION FOR THE RP SERIES 880V/LF880V/LF886V (shown with strainer)



Service and Maintenance

General

- Detailed maintenance manuals are available from your local Febco representative.
- Rinse all parts with clean water prior to reassembly.
- DO NOT USE ANY PIPE DOPE, OIL, GREASE OR SOLVENT ON ANY PARTS unless instructed to do so.
- Do not force parts. Parts should fit together freely. Excess force may cause damage and render the assembly inoperable.
- Carefully inspect seals and seating surfaces for debris or damage.
- After servicing, repressurize the assembly and test to ensure proper operation.

