

Application

Designed for drop-in replacement of existing longer lay length assemblies without the need for additional spools or spacers, saving 2 to 6 hours of installation labor and up to 2 machine hours per backflow replacement. A custom sized grooved spool installed between the backflow body and downstream shut-off valve allows customer specified assembly lengths to be shipped directly from the factory. Designed for installation on potable water lines to protect against both backsiphonage and backpressure of contaminated water into the potable water supply. The Model 375ASTR provides protection where a potential health hazard exists.

Standards Compliance

- ASSE® Listed 1013
 - AWWA Compliant C511 with gates only), and C550
 - FM® Approved
 - UL® Classified
 - C-UL® Classified
 - CSA® Certified
 - Approved by the Foundation for Cross Connection Control and Hydraulic Research at the University of Southern California
 - Certified to NSF/ANSI 372* by IAPMO R&T
 - NSF® Listed-Standard 61, Annex G*
- *(0.25% MAX. WEIGHTED AVERAGE LEAD CONTENT)
- IAPMO® Listed

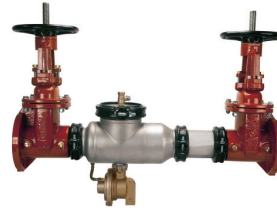
Materials

| | |
|---------------------|---|
| Main valve body | 304L Stainless steel |
| Access covers | 304L Stainless steel |
| Coatings | FDA Approved electrostatic epoxy finish |
| Internals | Stainless Steel, 300 Series NORYL™, NSF Listed |
| Fasteners & Springs | Stainless Steel, 300 Series |
| Seal rings | EPDM (FDA approved) |
| O-rings | Buna Nitrile (FDA approved) |
| Sensing line | Stainless Steel, braided hose |

Dimensions & Weights (do not include pkg.)

| MODEL 375ASTR SIZE | WEIGHT W/MAX. SPOOL LENGTH | | | | | | | | | | | | |
|--------------------------|----------------------------|-----|--------------------------|-----|-------------------------|-----|--------------------------|-----|--------------------------------|-----|--------------------------------|-----|-----|
| | WITH NRS GATES (GXF) | | WITH OS&Y GATES (GXF) | | WITH NRS GATES (GXG) | | WITH OS&Y GATES (GXG) | | WITH BUTTERFLY VALVES (GXG) | | WITH BUTTERFLY VALVES (GXF) | | |
| | in. | mm | lbs. | kg | lbs. | kg | lbs. | kg | lbs. | kg | lbs. | kg | |
| 2 1/2 | 65 | 108 | 49 | 126 | 57 | 98 | 44 | 116 | 53 | 95 | 43 | 106 | 48 |
| 3 | 80 | 127 | 58 | 145 | 66 | 115 | 52 | 133 | 60 | 102 | 46 | 115 | 52 |
| 4 | 100 | 192 | 87 | 228 | 104 | 172 | 78 | 204 | 93 | 114 | 52 | 136 | 62 |
| 6 | 150 | 314 | 143 | 372 | 169 | 284 | 129 | 350 | 159 | 186 | 84 | 216 | 98 |
| 8 | 200 | 627 | 285 | 709 | 322 | 587 | 266 | 655 | 297 | 373 | 169 | n/a | n/a |
| 10 | 250 | 882 | 401 | 978 | 445 | 830 | 376 | 920 | 417 | 512 | 232 | n/a | n/a |

| MODEL 375ASTR SIZE | DIMENSION (approximate) | | | | | | | | | | | | | | | | | | | | | | | | | | | |
|--------------------------|-------------------------|--------|---------|------|-------------------------------|--------|--------|------|------|--------|-----|-------|-----|-------|------------------|--------|-------------------|--------|---------------------|--------|-------------------------|--------|-----|--------|-----|--------|-----|-----|
| | A | | | | A WITH BUTTERFLY VALVES | | | | B | | C | | D | | E NRS GATE | | E OS&Y OPEN | | E OS&Y CLOSED | | E BUTTERFLY VALVE | | F | | G | | | |
| | in. | | mm | | in. | | mm | | in. | | mm | | in. | | mm | | in. | | mm | | in. | | mm | | in. | | mm | |
| | min | max | min | max | min | max | min | max | min | max | min | max | min | max | min | max | min | max | min | max | min | max | min | max | min | max | min | max |
| 2 1/2 | 65 | 34 | 47 1/8 | 864 | 1197 | 31 | 44 1/8 | 787 | 1121 | 16 5/8 | 422 | 4 1/2 | 114 | 7 1/4 | 184 | 11 1/2 | 292 | 17 3/4 | 451 | 15 3/8 | 391 | 8 1/4 | 210 | 9 3/4 | 248 | 8 5/8 | 219 | |
| 3 | 80 | 35 | 48 1/8 | 889 | 1222 | 31 1/2 | 44 5/8 | 800 | 1133 | 16 5/8 | 422 | 4 1/2 | 114 | 7 1/4 | 184 | 12 3/4 | 324 | 20 1/4 | 514 | 17 | 432 | 8 1/2 | 216 | 9 3/4 | 248 | 8 5/8 | 219 | |
| 4 | 100 | 37 3/8 | 62 1/4 | 949 | 1581 | 32 5/8 | 57 1/2 | 829 | 1461 | 16 5/8 | 422 | 4 1/2 | 114 | 8 | 203 | 14 1/2 | 368 | 22 1/2 | 572 | 18 1/4 | 464 | 9 | 229 | 9 3/4 | 248 | 8 5/8 | 219 | |
| 6 | 150 | 46 | 71 1/4 | 1168 | 1810 | 39 | 64 1/4 | 991 | 1632 | 22 1/4 | 565 | 5 1/2 | 140 | 10 | 254 | 18 | 457 | 30 1/2 | 775 | 24 1/4 | 616 | 10 1/4 | 260 | 10 3/4 | 273 | 11 1/4 | 286 | |
| 8 | 200 | 55 3/4 | 86 | 1416 | 2184 | 48 3/4 | 79 | 1238 | 2007 | 29 1/2 | 749 | 9 1/4 | 235 | 11 | 279 | 21 1/8 | 537 | 37 | 940 | 28 1/2 | 724 | 18 1/2 | 470 | 15 5/8 | 397 | 13 1/4 | 337 | |
| 10 | 250 | 58 5/8 | 100 5/8 | 1489 | 2556 | 52 5/8 | 94 5/8 | 1337 | 2403 | 29 1/2 | 749 | 9 1/4 | 235 | 12 | 305 | 24 3/4 | 629 | 45 5/8 | 1159 | 34 3/4 | 883 | 18 1/2 | 470 | 15 5/8 | 397 | 13 1/2 | 343 | |



PATENT PENDING

Options (Suffixes can be combined)

- with flanged end NRS gate valves (standard)
- MS - with Integral Relief Valve Monitor Switch
- OSY - with flanged end OS&Y gate valves
- BG - with grooved end butterfly valves with integral supervisory switches (2-1/2" - 6")
- BF - with flanged end butterfly valves with integral supervisory switches (2-1/2" - 6")
- BGVIC - with grooved end butterfly valves with integral supervisory switches (8" - 10")

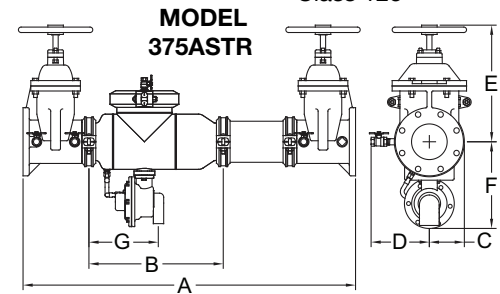
Accessories

- Repair kit (rubber only)
- Thermal expansion tank (Model XT)
- OS & Y Gate valve tamper switch (OSY-40)
- Air gap (Model AG)
- Electronic Solenoid Timer (Model EST)
- QT-SET Quick Test Fitting Set

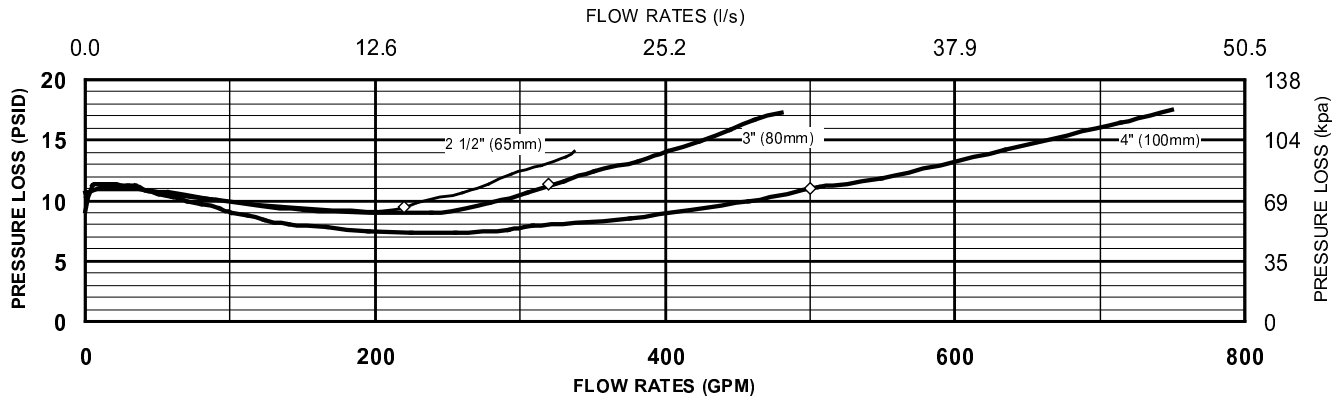
Features

Sizes: 2 1/2", 3", 4", 6", 8", 10"
 Maximum working water pressure 175 PSI
 Maximum working water temperature 140°F
 Hydrostatic test pressure 350 PSI
 End connections

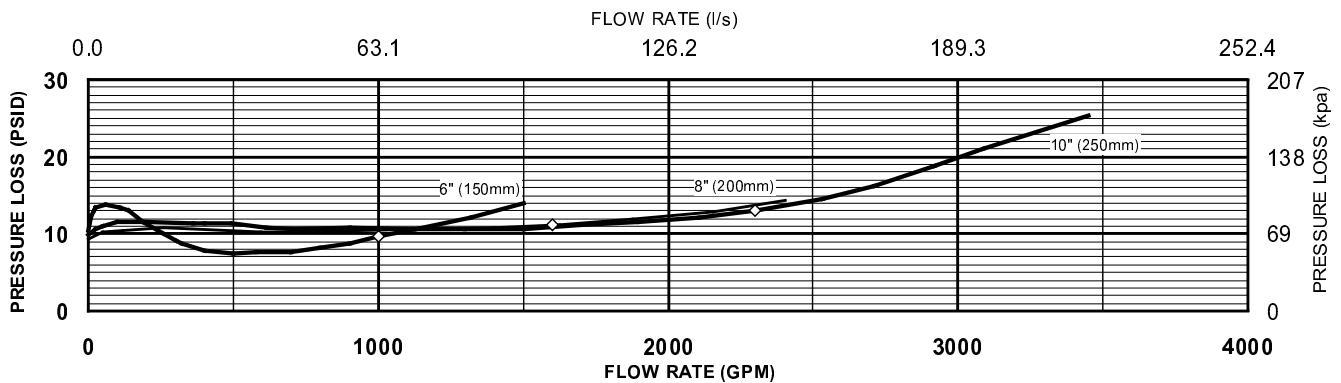
(Grooved for steel pipe) AWWA C606
 (Flanged) ANSI B16.1
 Class 125



MODEL 375ASTR 2 1/2", 3" & 4" (STANDARD & METRIC)



MODEL 375ASTR 6", 8" & 10" (STANDARD AND METRIC)



Typical Installation

Local codes shall govern installation requirements. Unless otherwise specified, the assembly shall be mounted at a minimum of 12" (305mm) and a maximum of 30" (762mm) above adequate drains with sufficient side clearance for testing and maintenance. The installation shall be made so that no part of the unit can be submerged.

Order Configuration

- Exact in field measurements are required when ordering the assembly. Please have the assembly length ready when ordering.
- All assemblies are custom made to order and all sales are final.
- Lead time is approximately one week.

Generic part number used for ordering:

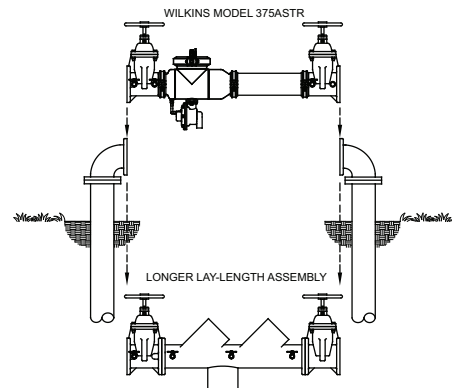
X-375ASTR*-Y

where X= NOMINAL VALVE SIZE (212 REPRESENTS 2-1/2")
 Y= ASSEMBLY LENGTH SUFFIX: choose A-C from table at right (exact in field measurements must be given to customer service representative)
 *= ADDED OPTIONS (use suffixes designated in OPTIONS section on previous page)

Example

To order a 4" Model 375ASTR with OS&Y gate valves and an assembly length of 52 3/8", the part number would be: 4-375ASTROSY-B.

The length of 52 3/8" would be given to Customer Service.



| ASSEMBLY LENGTH SUFFIX | | | | | | | |
|------------------------|---------|------------|----------|------------|----------|------------|--|
| | | A | | B | | C | |
| | | Size Range | | Size Range | | Size Range | |
| NPS | From | To | From | To | From | To | |
| 2-1/2" | 34" | 47 1/8" | | | | | |
| 3 | 35" | 48 1/8" | | | | | |
| 4 | 37 3/8" | 50" | 50 1/16" | 62 1/4" | | | |
| 6 | 46" | 59" | 59 1/16" | 71 1/4" | | | |
| 8" | 55 3/4" | 74" | 74 1/16" | 86" | | | |
| 10" | 58 5/8" | 77" | 77 1/16" | 89" | 89 1/16" | 100 5/8" | |

Specifications

The Reduced Pressure Principle Backflow Prevention Assembly shall be certified to NSF/ANSI 372, ASSE® Listed 1013, and supplied with full port gate valves. The main body and access cover shall be 304L Stainless Steel, the seat ring and check valve shall be NORYL™, the stem shall be stainless steel (ASTM A 276) and the seat disc elastomers shall be EPDM. The checks and the relief valve shall be accessible for maintenance without removing the device from the line. The Reduced Pressure Principle Backflow Prevention Assembly used for all backflow replacements shall be a ZURN WILKINS Model 375ASTR.