

Application

Designed for installation on potable water lines to protect against both backsiphonage and backpressure of contaminated water into the potable water supply. The Model 375ST provides protection where a potential health hazard exists. The valve's stainless steel construction is ideal in those systems that utilize liquids corrosive to copper alloys. Potential applications include: medical diagnostic equipment, food processing, distilleries, breweries, etc. Additionally, the 375ST is ideal for applications requiring valves that are lead-free*.

Standards Compliance

- ASSE® Listed 1013
- CSA B64.4
- Approved by the Foundation for Cross Connection Control and Hydraulic Research at the University of Southern California
- Certified to NSF/ANSI 372* by IAPMO R&T
- NSF® Listed-Standard 61, Annex G*

*(0.25% MAX. WEIGHTED AVERAGE LEAD CONTENT)

Materials

Housing	Reinforced Nylon, FDA approved
Fasteners	Stainless Steel, 300 Series
Elastomers	Silicone (FDA Approved) Buna Nitrile (FDA Approved)
Internals	Delrin, Nylon, NSF Listed
Springs	Stainless Steel, 300 series
Ball Valves	Cast, Stainless Steel ASTM A351, CF-8M
Struts	Forged Brass, ASTM B 124 Nickel Plated

Features

Sizes:	1/2", 3/4", 1"
Maximum working water pressure	175 PSI
Maximum working water temperature	180°F
Hydrostatic test pressure	350 PSI
End connections Threaded FNPT	ANSI B1.20.1



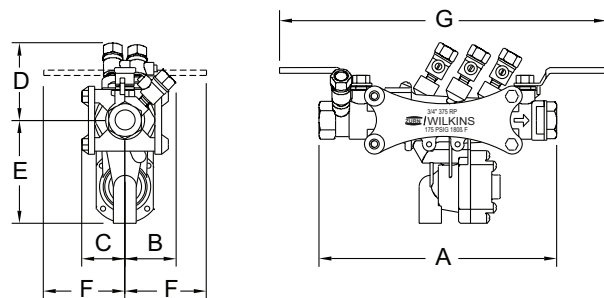
Options

(Suffixes can be combined)

- with full port QT ball valves (standard)
- AG - with air gap
- BOF - with Blow out/Flush fitting (1/2", 3/4" & 1")

Accessories

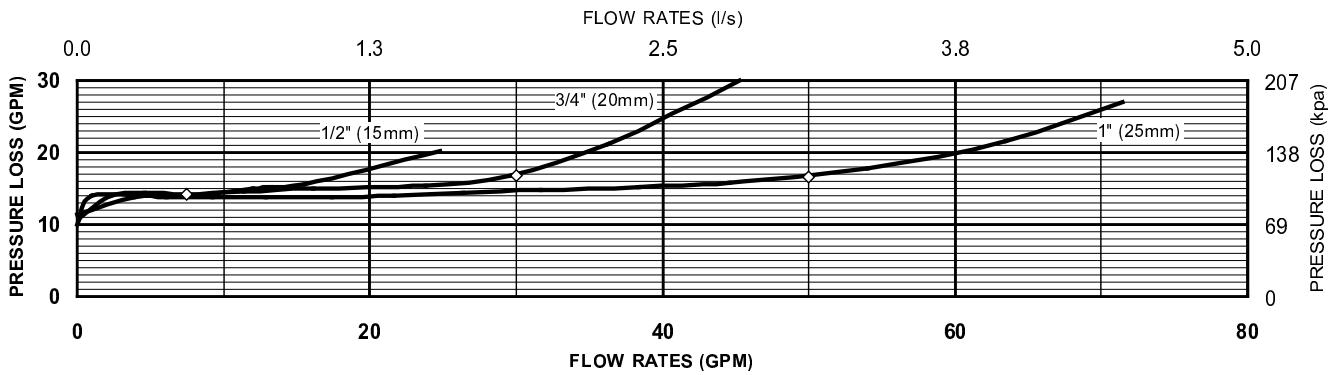
- Air gap (Model AG)
- Repair kits
- Thermal expansion tank (Mdl. XT)
- Shock arrester (Model 1250XL)
- QT-SET Quick Test Fitting Set
- Blow out / Flush fitting
1/2" & 3/4" (RK34-375BOF)
1" (RK1-375BOF)



Dimensions & Weights (do not include pkg.)

MODEL 375ST SIZE	DIMENSIONS (approximate)															WEIGHT			
	A		B		C		D		E		F		G		LESS BALL VALVES		WITH BALL VALVES		
	in.	mm	in.	mm	in.	mm	in.	mm	in.	mm	in.	mm	in.	mm	lbs.	kg	lbs.	kg	
1/2	20	8 7/8	225	1 5/16	33	1 5/8	41	2 15/16	75	3 7/8	98	3	76	12 1/4	311	4.7	2.1	5.7	2.6
3/4	20	8 7/8	225	1 5/16	33	1 5/8	41	2 15/16	75	3 7/8	98	3	76	12 1/4	311	4.7	2.1	5.7	2.6
1	25	11 3/16	284	2 1/4	57	2 1/4	57	3 7/16	87	4	102	4	102	15 1/4	387	8.2	3.7	9.7	4.4

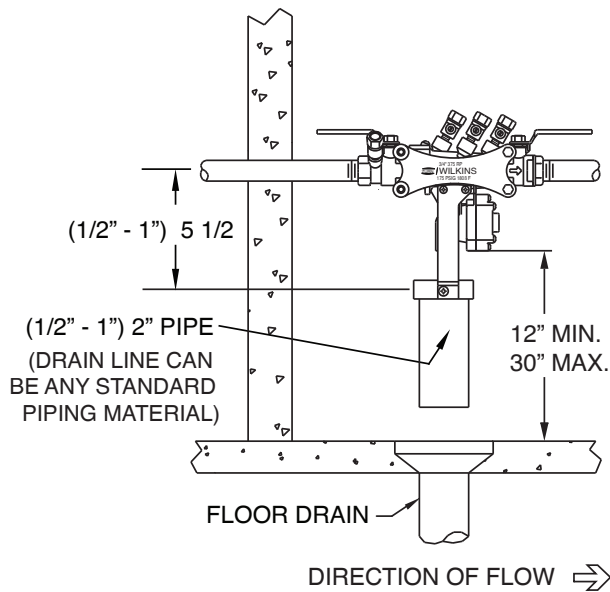
MODEL 375ST 1/2", 3/4" & 1" (STANDARD & METRIC)



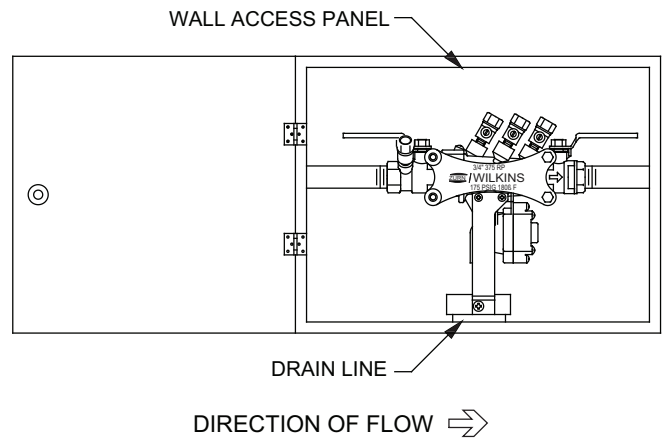
Typical Installation

Local codes shall govern installation requirements. To be installed in accordance with the manufacturers' instructions and the latest edition of the Uniform Plumbing Code. Unless otherwise specified, the assembly shall be mounted at a minimum of 12" (305mm) and a maximum of 30" (762mm) above adequate drains with sufficient side clearance for testing and maintenance. The installation shall be made so that no part of the unit can be submerged.

Capacity thru Schedule 40 Pipe				
Pipe size	5 ft/sec	7.5 ft/sec	10 ft/sec	15 ft/sec
3/8"	3	4	6	9
1/2"	5	7	9	14
3/4"	8	12	17	25
1"	13	20	27	40
1 1/4"	23	35	47	70
1 1/2"	32	48	63	95
2"	52	78	105	167



INDOOR INSTALLATION



OUTDOOR INSTALLATION

Specifications

The Reduced Pressure Principle Backflow Preventer shall be Stainless Steel, certified to NSF/ANSI 372, ASSE® Listed 1013, rated to 180°F and supplied with full port ball valves. The main body shall be Nylon and the seat disc elastomers shall be silicone. If installed indoors, the installation shall be supplied with an air gap adapter. The Reduced Pressure Principle Backflow Preventer shall be a ZURN WILKINS Model 375ST.