

Application

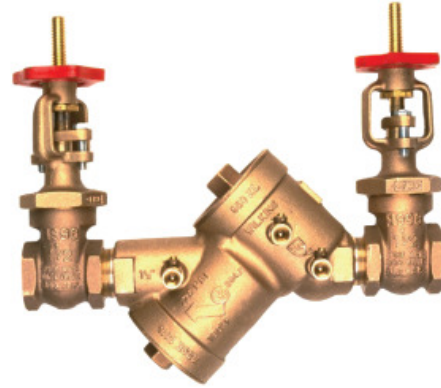
Designed for installation on fire protection water lines to protect against both backsiphonage and backpressure of polluted water into the potable water supply. Assembly shall provide protection where a potential health hazard does not exist.

Standards Compliance

- UL® Classified

Materials

Main valve body	Cast Bronze ASTM B 584
Access covers	Cast Bronze ASTM B 584
Internals	Stainless Steel, 300 Series
Elastomers	Silicone (FDA approved) Buna Nitrile (FDA approved)
Polymers	Noryl™, NSF Listed
Springs	Stainless steel, 300 series

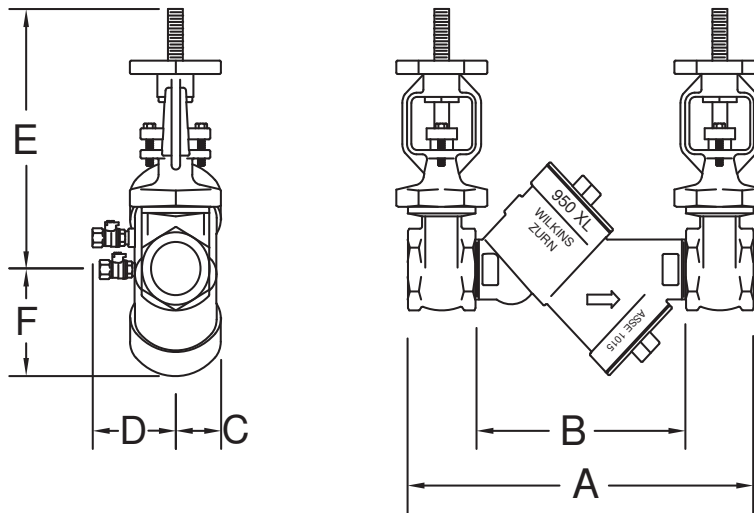


Features

Sizes:	3/4, 1", 1 1/4", 1 1/2", 2"
Maximum working water pressure	175 PSI
Maximum working water temperature	180°F
Hydrostatic test pressure	350 PSI
End connections	Threaded ANSI B1.20.1

Accessories

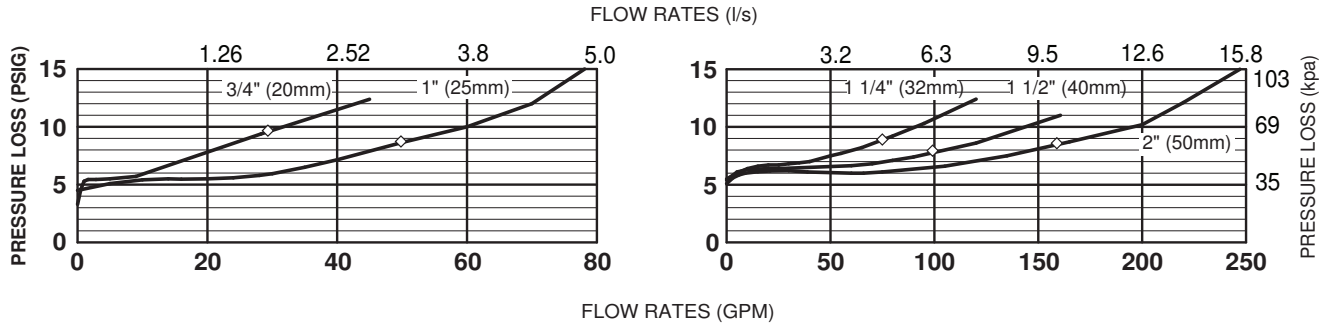
- Repair kit (rubber only)
- Relief valve (P1000A)
- QT- SET Quick Test Fitting Set



Dimensions & Weights (do not include pkg.)

MODEL 950XLOS Y SIZE	DIMENSIONS (approximate)														WEIGHT				
	A		B LESS GATE VALVES		C		D		E OPEN		E CLOSED		F		WITH GATE VALVES		LESS GATE VALVES		
	in.	mm	in.	mm	in.	mm	in.	mm	in.	mm	in.	mm	in.	mm	lbs.	kg	lbs.	kg	
3/4	20	11 3/4	299	7	178	1 1/2	38	3	76	7 1/2	191	6 1/4	159	3	76	12	5.5	5	2.3
1	25	12	305	7	178	1 1/2	38	3	76	8	203	6 1/2	165	3	76	13	5.9	8	3.6
1 1/4	32	16 3/16	411	10 9/16	268	2	51	3 1/2	89	9 1/2	241	7 5/8	194	4 1/2	114	30	13.6	16	7.3
1 1/2	40	16 3/8	416	10 9/16	268	2	51	3 1/2	89	9 3/4	248	7 13/16	198	4 1/2	114	31	14.1	16	7.3
2	50	16 3/4	416	10 9/16	268	2	51	3 1/2	89	11 3/16	300	8 15/16	227	4 1/2	114	38	17.3	16	7.3

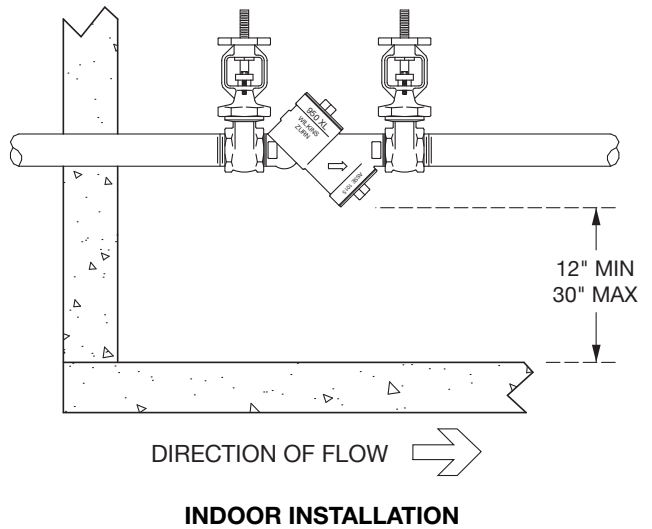
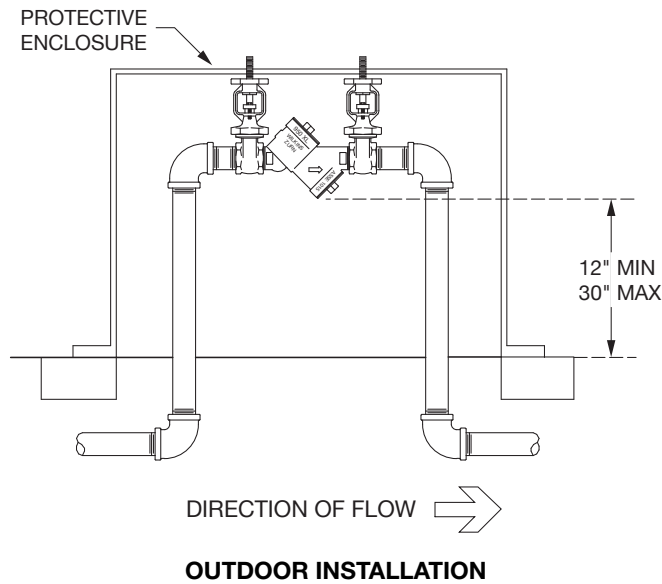
MODEL 950XLOSY 3/4", 1", 1 1/4", 1 1/2" & 2" (STANDARD & METRIC)



Typical Installation

Local codes shall govern installation requirements. To be installed in accordance with the manufacturer's instructions and the latest edition of the Uniform Plumbing Code. Unless otherwise specified, the assembly shall be mounted at a minimum of 12" (305mm) and a maximum of 30" (762mm) above adequate drains with sufficient side clearance for testing and maintenance. The installation shall be made so that no part of the unit can be submerged.

Capacity thru Schedule 40 Pipe				
Pipe size	5 ft/sec	7.5 ft/sec	10 ft/sec	15 ft/sec
1/8"	1	1	2	3
1/4"	2	2	3	5
3/8"	3	4	6	9
1/2"	5	7	9	14
3/4"	8	12	17	25
1"	13	20	27	40
1 1/4"	23	35	47	70
1 1/2"	32	48	63	95
2"	52	78	105	167



Specifications

The Double Check Backflow Preventer shall be UL® Classified, and supplied with full port, UL® Classified OS & Y gate valves. The assembly shall incorporate removable seat rings. The main body and access covers shall be bronze (ASTM B 584), the seat rings and all internal polymers shall be NSF® Listed Noryl™ and the seat disc elastomers shall be silicone. The first and second checks shall be accessible for maintenance without removing the device from the line. The Double Check Backflow Preventer shall be a Zurn Wilkins Model 950XLOSY.