

"Apollo" Valves

SUBMITTAL SHEET

LEAD FREE

Model RPLF 4AN

Reduced Pressure Principle **Backflow Preventer**



TriForce™ Check



Job Name:	
Job Location:	
Engineer:	
Contractor:	
Tag:	
PO Number:	
Representative:	
Wholesale Distributor:	



SPECIFICATIONS

The 2 1/2" – 12" Reduced Pressure Principle Backflow Preventer shall be an Apollo® Model RPLF4AN Lead Free*. The assembly shall be manufactured in America and carry a 5-year Apollo® factory warranty. The normally vertical up / vertical down (n-shape) oriented body shall incorporate an internal swivel connection providing the ability to pivot the second check 180°, producing a vertical up RP assembly. The TriForce™ center-stem guided check valves shall feature reversible silicone rubber seat discs. The check valves shall be held in place by drop-in retainers (2 1/2" – 6") or SS studs & nuts (8" – 12"). Access to the check valves and relief valve internals shall be by an Apollo® quick-connect SS coupling (2 1/2" – 6") or grooved couplings (covers) and SS bolts (relief valves) (8" – 12"). The bodies shall be domestic SS in 2 1/2" – 8" sizes and FDA epoxy coated ductile iron in 10" & 12" sizes. The Lead Free* Apollo® domestic ball valve test cocks shall have SS handles. The assembly shall prevent contamination of the potable water supply due to back-siphonage or backpressure from substances that are health or non-health hazards. The pressure drop across the assembly shall be documented by an independent laboratory.

FEATURES

- Domestic Stainless steel body: 2 1/2" – 8"
- FDA epoxy coated ductile iron body: 10" & 12"
- Easy maintenance – no special tools required
- Drop-in check retainers: 2 1/2" – 6"
- Bolted-in checks: 8" – 12"
- Low pressure loss as documented by an independent laboratory
- Center-stem guided TriForce™ check valves

- Small installation space required – small footprint
- Approved for n-flow (2 1/2" – 12") and vertical flow up (2 1/2" – 8")
- US Patents: 6,443,184; 7,025,085; 7,533,699; 8,240,333
- **Made in the USA**

PERFORMANCE RATING

- Maximum Working Pressure 175 psi
- Temperature Range 33 ° F – 140 ° F
- Hydrostatic Test Pressure 350 psi

APPROVALS

- Sizes 2 1/2" – 12": ASSE 1013, CSA B64.4, FM, IAPMO, UL*, and cUL*

*UL and cUL installations must include indicating-type shut-off valves

FACTORY CODE

4AnLF	2 X	X	0 X
	Y-STRAINER	SIZE	SHUT-OFF VALVES
4AnLF= Lead Free	<input type="checkbox"/> 0 = Standard <input type="checkbox"/> 1 = w/ Y-strainer (shipped loose)	<input type="checkbox"/> 9 = 2-1/2" <input type="checkbox"/> 0 = 3" <input type="checkbox"/> A = 4" <input type="checkbox"/> C = 6" <input type="checkbox"/> E = 8" <input type="checkbox"/> G = 10" <input type="checkbox"/> H = 12"	<input type="checkbox"/> 1 = Less Shut-off Valves <input type="checkbox"/> 2 = NRS Flg x NRS Flg <input type="checkbox"/> 3 = OS&Y Flg x OS&Y Flg <input type="checkbox"/> 4 = OS&Y Flg x Monitored (Mon.) Butterfly Vlv Grv† <input type="checkbox"/> 6 = OS&Y Flg x Post indicator Flg** <input type="checkbox"/> 7 = OS&Y Flg x OS&Y Grv <input type="checkbox"/> 8 = OS&Y Grv x OS&Y Grv <input type="checkbox"/> 9 = Mon. Butterfly Vlv Grv x Mon. Butterfly Vlv Grv† <input type="checkbox"/> 10 = OS&Y Flg x Post Indicator Grv** <input type="checkbox"/> 11 = NRS Grv x NRS Grv <input type="checkbox"/> 12 = NRS Flg x NRS Grv <input type="checkbox"/> 13 = Post Indicator Flg x Mon. Butterfly Vlv Grv† <input type="checkbox"/> 14 = Post Indicator Flg x Post Indicator Flg <input type="checkbox"/> 16 = Mon Butterfly Vlv Grv x Post Indicator Flg† <input type="checkbox"/> 17 = Post Indicator Flg x OS&Y Grv <input type="checkbox"/> 18 = OS&Y Grv x Post Indicator Grv <input type="checkbox"/> 19 = Mon. Butterfly Vlv Grv x Post Indicator Grv <input type="checkbox"/> 20 = Post Indicator Flg x OS&Y Flg

** Post indicator with plate & nut option not available in 2-1/2" size.

† Butterfly valves not available in 12" size.

* LEAD FREE: The wetted surfaces of this product shall contain no more than 0.25% lead by weighted average. Complies with Federal Public Law 111-380. ANSI 3rd party approved and listed.

Apollo Valves, Manufactured by **Conbraco Industries, Inc.**
 701 Matthews Mint-Hill Road, Matthews, NC 28105 USA
www.apollovalves.com | (704) 841-6000

This specification is provided for reference only. Conbraco Industries Inc. reserves the right to change any portion of this specification without notice and without incurring obligation to make such changes to Conbraco products previously or subsequently sold. Please visit our website at www.apollovalves.com for the most current information.



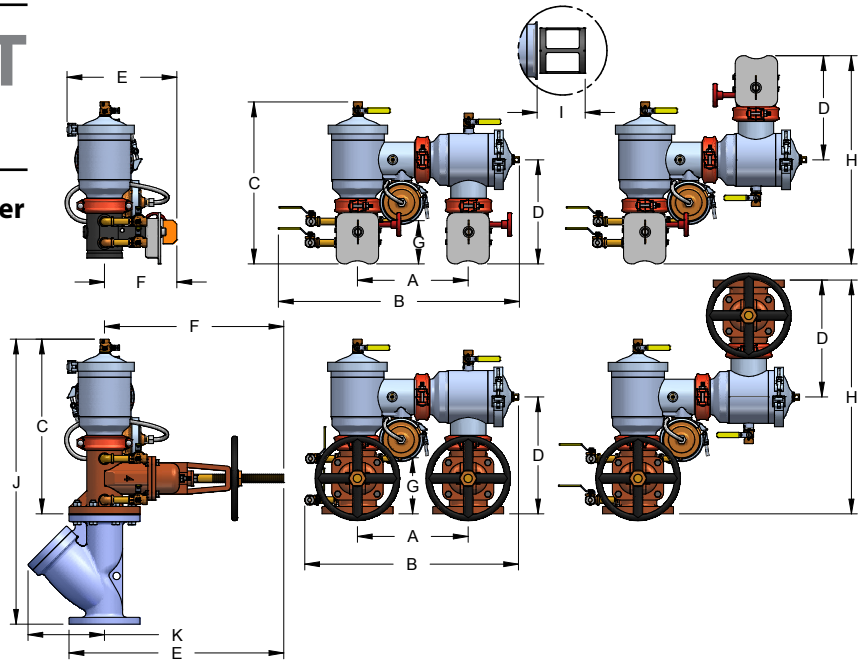
"Apollo" Valves

SUBMITTAL SHEET

LEAD FREE

Model RPLF 4AN

Reduced Pressure Principle **Backflow Preventer**



DIMENSIONS Nominal dimensions are shown. Allowances must be made for manufacturers' tolerances ($\pm 1/8"$ (3 mm) per joint)

DIMENSIONS	2-1/2"	60mm	3"	75mm	4"	100mm	6"	150mm	8"	200mm	10"	250mm	12"	300mm
A (Centerline to Centerline)	12-1/2 \pm	318 \pm	12-1/2 \pm	318 \pm	14 \pm	356 \pm	16 \pm	406 \pm	18-1/2 \pm	470 \pm	21 \pm	533 \pm	26-3/4 \pm	675 \pm
B (Butterfly Valves)	27-1/2 \pm	699 \pm	27-1/2 \pm	699 \pm	30-3/4 \pm	781 \pm	36 \pm	914 \pm	37-3/8 \pm	949 \pm	43 \pm	1092 \pm	N/A	N/A
B (Gate Valves)	24-1/2 \pm	622 \pm	24-1/2 \pm	622 \pm	27 \pm	686 \pm	32 \pm	813 \pm	40-3/4 \pm	1035 \pm	49 \pm	1245 \pm	55-3/4 \pm	1416 \pm
C (Butterfly Valves)	18-1/4	468	18-1/2	470	20	508	24-3/4	629	28-1/2	724	35	889	N/A	N/A
C (Gate Valves)	19-5/8	498	20	508	22-1/2	572	27-3/4	705	32-1/8	816	40	1016	44	1118
D (Butterfly Valves)	11-1/2	292	11-3/4	298	12-1/2	318	14-1/2	368	17-7/8	454	19-3/4	502	N/A	N/A
D (Gate Valves)	13	330	13-1/2	343	14-7/8	378	18	457	21-3/8	543	24-3/4	629	28-3/4	730
E (Butterfly Valves)	11-1/2	292	12-1/8	308	12-7/8	327	15-7/8	403	22-1/4	565	23-1/8	587	N/A	N/A
E (OS&Y Open)	19-7/8	505	24-1/2	622	27-1/4	692	32-3/4	832	44-1/2	1130	54	1372	62-3/4	1594
E (NRS/PI)	14-7/8	378	16-1/8	410	19-1/4	489	24-1/2	622	29-1/4	740	36-3/8	924	40	1016
F (Butterfly Valves)	8	203	8-3/8	213	9	229	10-7/8	277	12-7/8	327	13-1/2	343	N/A	N/A
F (OS&Y Open)	16-3/8	416	20-1/2	521	22-3/4	578	28	711	37-3/4	959	46	1168	53-1/8	1349
F (NRS/PI)	11-3/8	289	12-3/8	314	14-3/4	375	19	483	22-1/2	572	26-1/2	673	30	762
G (Butterfly Valves)	4-1/8	105	4-1/2	114	4-3/8	111	6-1/2	165	5-1/4	133	4	102	N/A	N/A
G (Gate Valves)	5-1/2	140	6	152	6	152	9	229	9	229	9	229	10	254
H (Butterfly Valves)	23	584	23-1/2	597	25	635	29	737	35-3/4	908	N/A	N/A	N/A	N/A
H (Gate Valves)	26	660	27	686	29-3/4	756	36	914	42-3/4	1086	N/A	N/A	N/A	N/A
I (Check Removal Clearance)	6	152	6	152	6	152	8	203	8-1/2	216	12	305	12	305
J	30-1/2	775	31-5/8	803	36-1/2	927	46-3/8	1178	53-5/8	1362	66-1/8	1680	74-1/8	1883
K	8	203	8-3/4	222	9-1/2	241	12-5/8	321	16-3/8	416	19	483	22	559
Test Cocks (NPT)	1/2"	15	1/2"	15	1/2"	15	3/4"	20	3/4"	20	3/4"	20	3/4"	20
WEIGHTS	lb.	kg	lb.	kg	lb.	kg	lb.	kg	lb.	kg	lb.	kg	lb.	kg
Net Wt. (Less Shut-offs)	39	18	39	18	48	22	83	38	325	147	841	381	966	438
Net Wt. (w/ Butterfly Valves)	66	30	69	31	92	42	151	69	456	207	1019	462	N/A	N/A
Net Wt. (w/NRS Gate Valves)	125	57	150	68	197	89	322	146	788	357	1487	674	2103	954
Net Wt. (w/ OS&Y Gate Valves)	135	61	160	73	203	92	332	151	802	364	1509	684	2157	978

Notes:

- Nominal dimensions are shown. Allowances must be made for manufacturers' tolerances.
- Internal body connections are grooved on 2 1/2" - 10" sizes.
- Internal body connections are flanged on 12" size.
- Strainer option only available for flanged-end shut-off options.

* **LEAD FREE:** The wetted surfaces of this product shall contain no more than 0.25% lead by weighted average. Complies with Federal Public Law 111-380. ANSI 3rd party approved and listed.

This specification is provided for reference only. Conbraco Industries Inc. reserves the right to change any portion of this specification without notice and without incurring obligation to make such changes to Conbraco products previously or subsequently sold. Please visit our website at www.apollovalves.com for the most current information.

Apollo Valves, Manufactured by **Conbraco Industries, Inc.**
701 Matthews Mint-Hill Road, Matthews, NC 28105 USA
www.apollovalves.com | (704) 841-6000



"Apollo" Valves

SUBMITTAL SHEET

LEAD FREE

Model RPLF 4AN

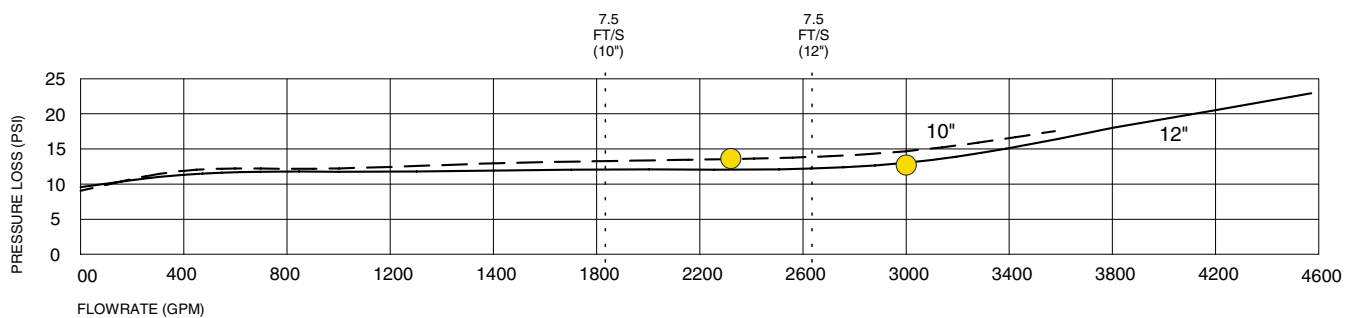
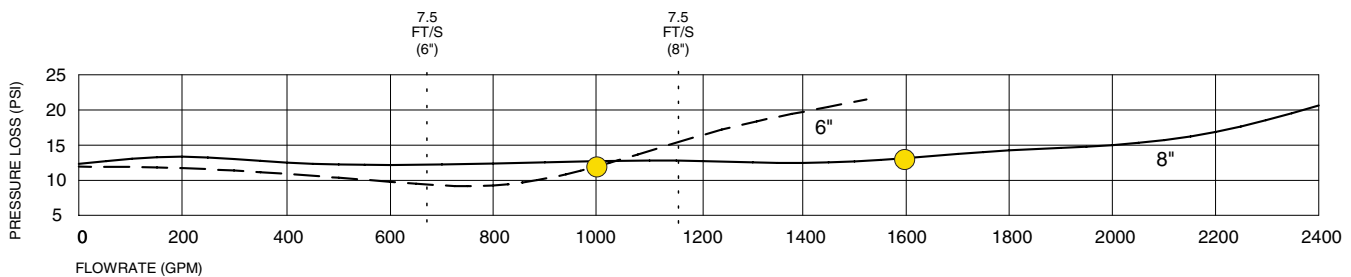
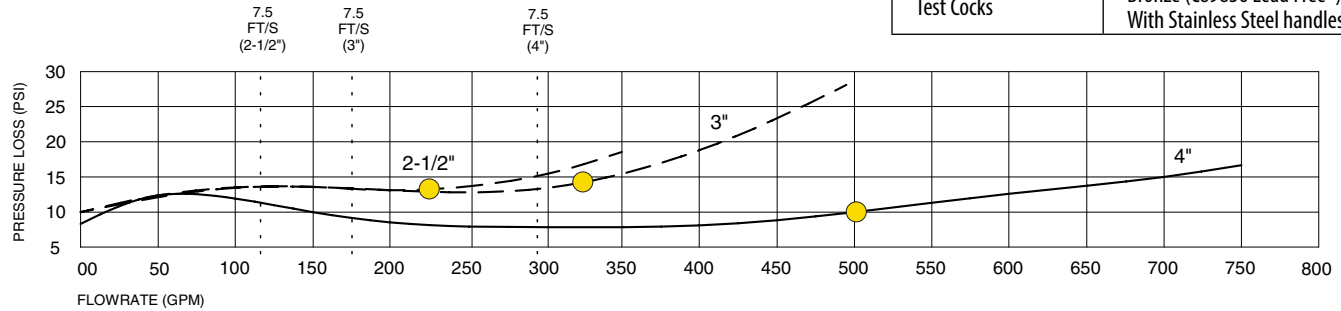
Reduced Pressure Principle **Backflow Preventer**

STANDARD MATERIALS LIST

Part Name	Material
Body (2 1/2" – 8")	Domestic Stainless Steel
Body (10" & 12")	FDA Epoxy Coated Ductile Iron
Relief Valve (2 1/2" – 12")	Bronze (C89836 Lead Free*)
Covers (2 1/2" – 6")	Glass-filled PPO/Stainless steel
Cover (8")	Domestic Stainless Steel
Covers (10" & 12")	FDA Epoxy Coated Ductile Iron
Check Valves (2 1/2" – 12")	Glass-filled PPO/Bronze (C89836 Lead Free*)/Stainless Steel
Springs	Stainless Steel
Seat Discs	Chloramine-resistant Silicone
Test Cocks	Bronze (C89836 Lead Free*) With Stainless Steel handles

FLOW CURVES

● Meter Rated Flow



Notes:

1. Flow curves directly reflect data collected by an independent laboratory.
2. Flow curves shown were recorded with butterfly shut-off valves. Flow curves with gate valves are slightly lower. Contact factory for more information.
3. All data points are based on ASSE increasing flow data, from zero GPM to rated flow (opening curve).
4. For high flow rates/pressure loss information – contact factory.

Apollo Valves, Manufactured by **Conbraco Industries, Inc.**
 701 Matthews Mint-Hill Road, Matthews, NC 28105 USA
www.apollovalves.com | (704) 841-6000

This specification is provided for reference only. Conbraco Industries Inc. reserves the right to change any portion of this specification without notice and without incurring obligation to make such changes to Conbraco products previously or subsequently sold. Please visit our website at www.apollovalves.com for the most current information.



"Apollo" Valves

SUBMITTAL SHEET

LEAD FREE

Model RPLF 4AN

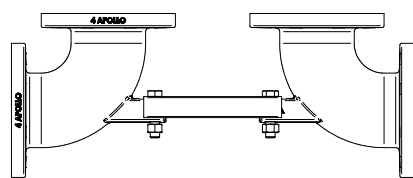
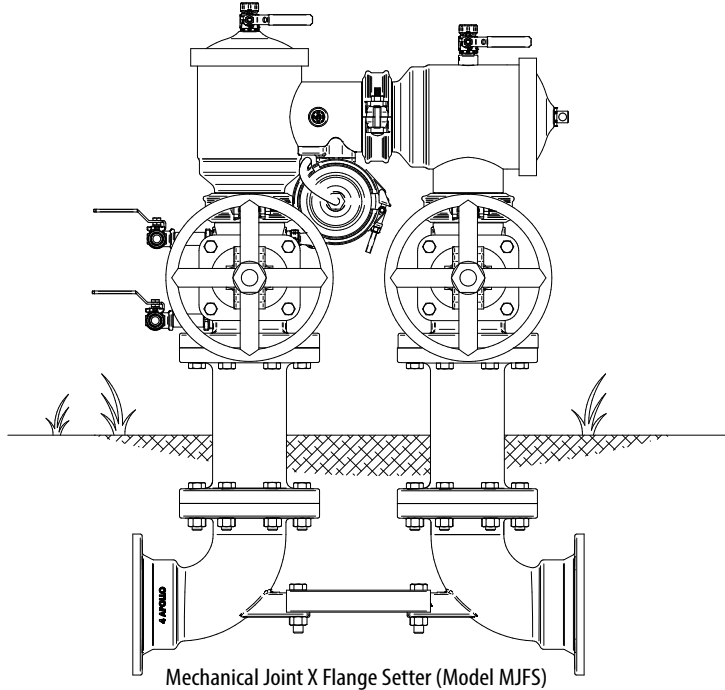
Reduced Pressure Principle **Backflow Preventer**

OPTIONAL VALVE SETTERS – Ordered Separately

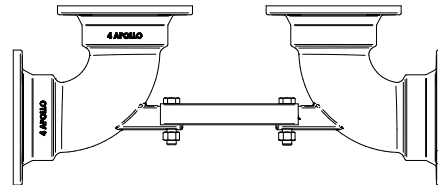
(See SS1174 Submittal Sheet for details)

FACTORY CODE

4An	- 00X	- X
	SIZE	TYPE
4An	<input type="checkbox"/> 9 = 2-1/2" <input type="checkbox"/> 0 = 3" <input type="checkbox"/> A = 4" <input type="checkbox"/> C = 6" <input type="checkbox"/> E = 8" <input type="checkbox"/> G = 10" <input type="checkbox"/> H = 12"	<input type="checkbox"/> F = Flange x Flange <input type="checkbox"/> MJF = Mechanical Joint X Flange <input type="checkbox"/> MJ = Mech. Joint X Mech. Joint



Flange X Flange Setter (Model FS)



Mechanical Joint X Mechanical Joint Setter (Model MJS)

Apollo Valves, Manufactured by **Conbraco Industries, Inc.**
 701 Matthews Mint-Hill Road, Matthews, NC 28105 USA
www.apollovalves.com | (704) 841-6000

This specification is provided for reference only. Conbraco Industries Inc. reserves the right to change any portion of this specification without notice and without incurring obligation to make such changes to Conbraco products previously or subsequently sold. Please visit our website @ www.apollovalves.com for the most current information.