

### Application

Designed for installation on water lines in fire protection systems to protect against both backsiphonage and back-pressure of contaminated water into the potable water supply. The Model 375DA shall provide protection where a potential health hazard exists. Incorporates metered by-pass to detect leaks and unauthorized water use.

### Standards Compliance

(Unless otherwise noted, applies to sizes 2 1/2" thru 10")

- ASSE® Listed 1047
- UL® Classified
- AWWA Compliant C550
- CSA® Certified B64.4 (4" & 6")
- C-UL® Classified
- FM® Approved
- NYC MEA 218-01-M VOL 3
- Approved by the Foundation for Cross Connection Control and Hydraulic Research at the University of Southern California
- NSF® Listed-Standard 61, Annex G\*  
\*(0.25% MAX. WEIGHTED AVERAGE LEAD CONTENT)

### By-Pass Backflow Assembly 3/4" Model 975XLD

### Materials

Main valve body	Ductile Iron ASTM A 536 Grade 4
Access covers	Ductile Iron ASTM A 536 Grade 4
Coatings	FDA Approved fusion epoxy finish
Internals	Stainless steel, 300 Series NORYL™, NSF Listed
Fasteners	Stainless Steel, 300 Series
Elastomers	EPDM (FDA approved) Buna Nitrile (FDA approved)
Polymers	NORYL™, NSF Listed
Springs	Stainless steel, 300 series
Sensing line	Stainless steel, braided hose

### Features

Sizes:	2 1/2", 3", 4", 6", 8", 10"
Maximum working water pressure	175 PSI
Maximum working water temperature	140°F
Hydrostatic test pressure	350 PSI
End connections (Grooved for steel pipe)	AWWA C606
(Flanged)	ANSI B16.1 Class 125

### Attention:

Model 375DA (flange body)  
and  
Model 375ADA  
(grooved body) have different  
lay lengths.

Relief Valve discharge  
port:  
2 1/2" - 6" - 2.75 sq. in.  
8" - 10" - 3.69 sq. in.



Certified to NSF/ANSI 61-G

### Options

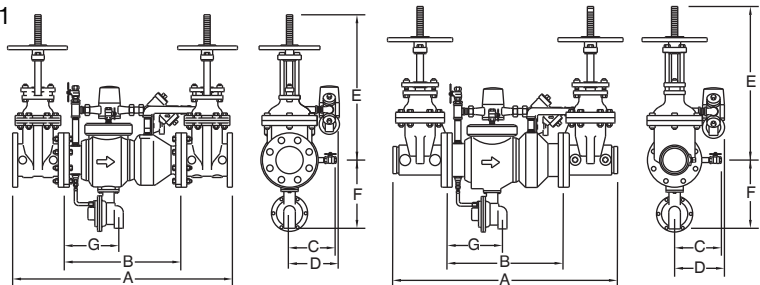
(Suffixes can be combined)

- with OS & Y gate valves (standard)
- L - less shut-off valves (flanged body connections)
- LM - less water meter
- with remote reading meter
- with gpm meter (standard)
- CFM - with cu ft/min meter
- G - with groove end gate valves
- FG - with flanged inlet gate connection and grooved outlet gate connection
- MS - with Integral Relief Valve Monitor Switch
- PI - with Post Indicator Gate Valve (3"-10")

### Accessories

- Air gap (Model AG)
- Repair kit (rubber only)
- Thermal expansion tank (Model XT)
- OS & Y Gate valve tamper switch (OSY-40)
- QT-SET Quick Test Fitting Set

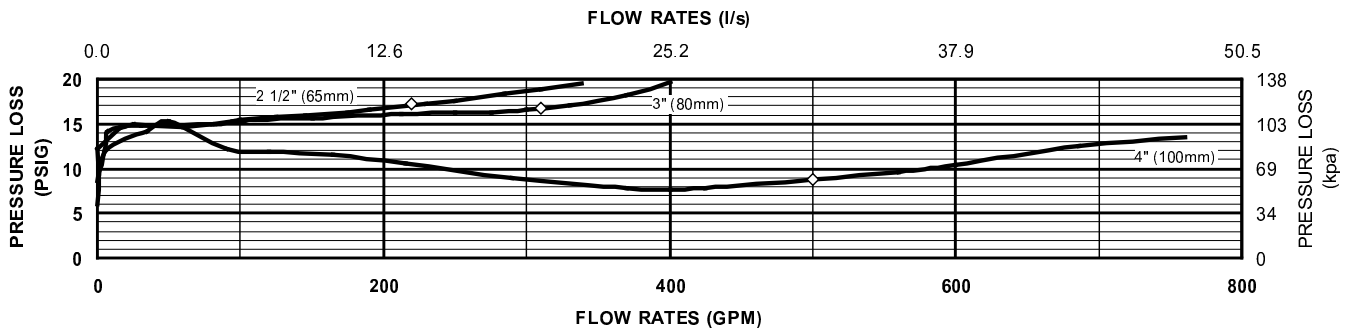
Model 375DAG SHOWN BELOW



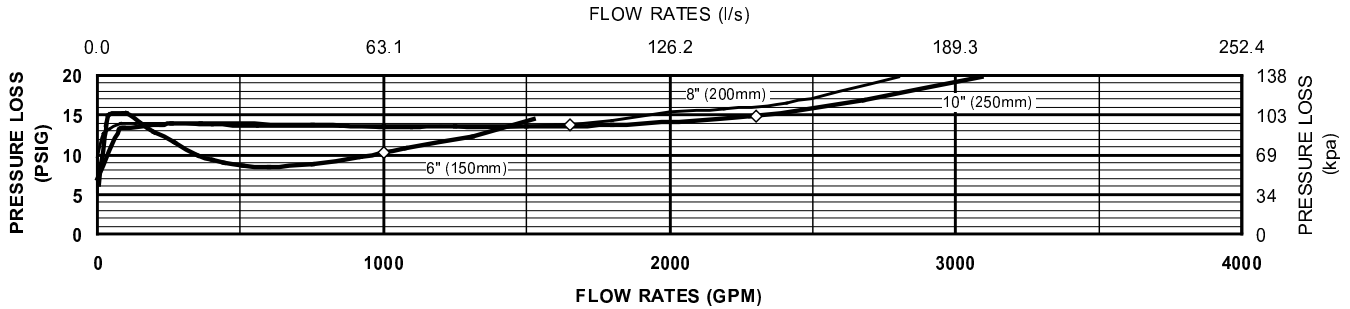
### Dimensions & Weights (do not include pkg.)

MODEL 375DA SIZE	DIMENSION (approximate)																WEIGHT				
	A		B LESS GATE VALVES		C		D		E OS&Y OPEN		E OS&Y CLOSED		F		G		LESS GATE VALVES		WITH OS&Y GATE VALVES		
	in.	mm	in.	mm	in.	mm	in.	mm	in.	mm	in.	mm	in.	mm	in.	mm	lbs.	kg	lbs.	kg	
2 1/2	65	31	787	15 7/8	403	7 1/4	184	9	229	16 3/8	416	13 7/8	352	9 1/2	241	8 3/8	213	75	34	185	84
3	80	32	813	15 7/8	403	7 1/4	184	9	229	18 7/8	479	15 5/8	397	9 1/2	241	8 3/8	213	78	35.4	208	94.4
4	100	37 5/8	956	19 1/2	495	8	203	9	229	22 3/4	578	18 1/4	464	11	279	7 1/4	184	116	52.7	306	138.9
6	150	44 3/4	1137	23 1/2	597	10	254	10 1/2	267	30 1/8	765	23 3/4	603	12 3/8	314	9 1/4	235	194	88	494	224.3
8	200	60 3/4	1543	37 3/4	959	11	279	15 1/2	394	37 3/4	959	29 1/4	743	15 3/8	391	16 3/4	426	382	173.4	858	390
10	250	63 3/4	1619	37 3/4	959	11	279	15 1/2	394	45 3/4	1162	35 3/8	899	15 3/8	391	16 3/4	426	412	187	1230	558.4

**MODEL 375DA 2 1/2", 3" & 4" (STANDARD & METRIC)**



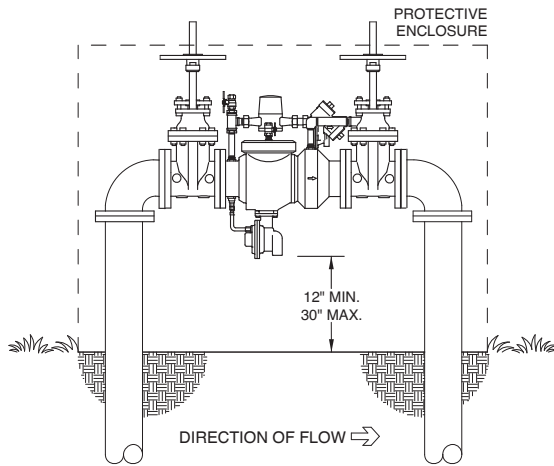
**MODEL 375DA 6", 8" & 10" (STANDARD & METRIC)**



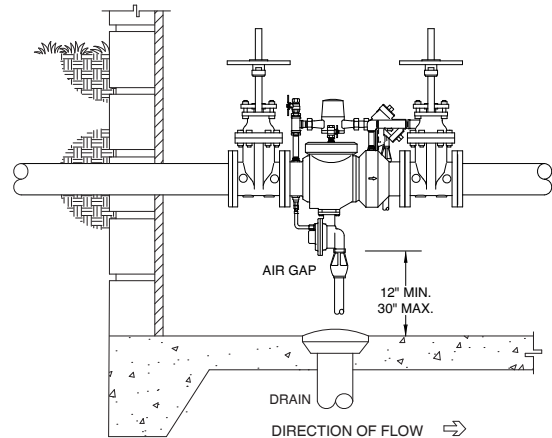
**Typical Installation**

Local codes shall govern installation requirements. To be installed in accordance with the manufacturer's instructions and the latest edition of the Uniform Plumbing Code. Unless otherwise specified, the assembly shall be mounted at a minimum of 12" (305mm) and a maximum of 30" (762mm) above adequate drains with sufficient side clearance for testing and maintenance. The installation shall be made so that no part of the unit can be submerged.

Capacity thru Schedule 40 Pipe (GPM)				
Pipe size	5 ft/sec	7.5 ft/sec	10 ft/sec	15 ft/sec
2 1/2"	75	112	149	224
3"	115	173	230	346
4"	198	298	397	595
6"	450	675	900	1351
8"	780	1169	1559	2339
10"	1229	1843	2458	3687
12"	1763	2644	3525	5288



**OUTDOOR INSTALLATION**



**INDOOR INSTALLATION**

**Specifications**

The Reduced Pressure Detector Backflow Prevention Assembly shall be ASSE® Listed 1047, and supplied with full port OS & Y gate valves. The main body and access cover shall be epoxy coated ductile iron (ASTM A 536 Grade 4), the seat ring and check valve shall be NORYL™, the stem shall be stainless steel (ASTM A 276) and the seat disc elastomers shall be EPDM. The checks and the relief valve shall be accessible for maintenance without removing the device from the line. The Reduced Pressure Detector Backflow Prevention Assembly shall be a ZURN WILKINS Model 375DA.